

Frigidaire

INTERNATIONAL

Factory Parts Catalog

Product No.	FGTD18V5GW0	FGTD18V5GW1
Series	134A SYSTEM	134A SYSTEM
Color	white	white
Volts	220	220
Wiring Diagram	240469201	240469201
Owner's Guide	241834200	241834200
Market	Export	Export
Energy Guide	241865408	241865408
Service Data Sheet	240585902	240585902
Installation Instructions	240568303	240568303

INTERNATIONAL
3 Parkway Center, Pittsburgh, PA 15220

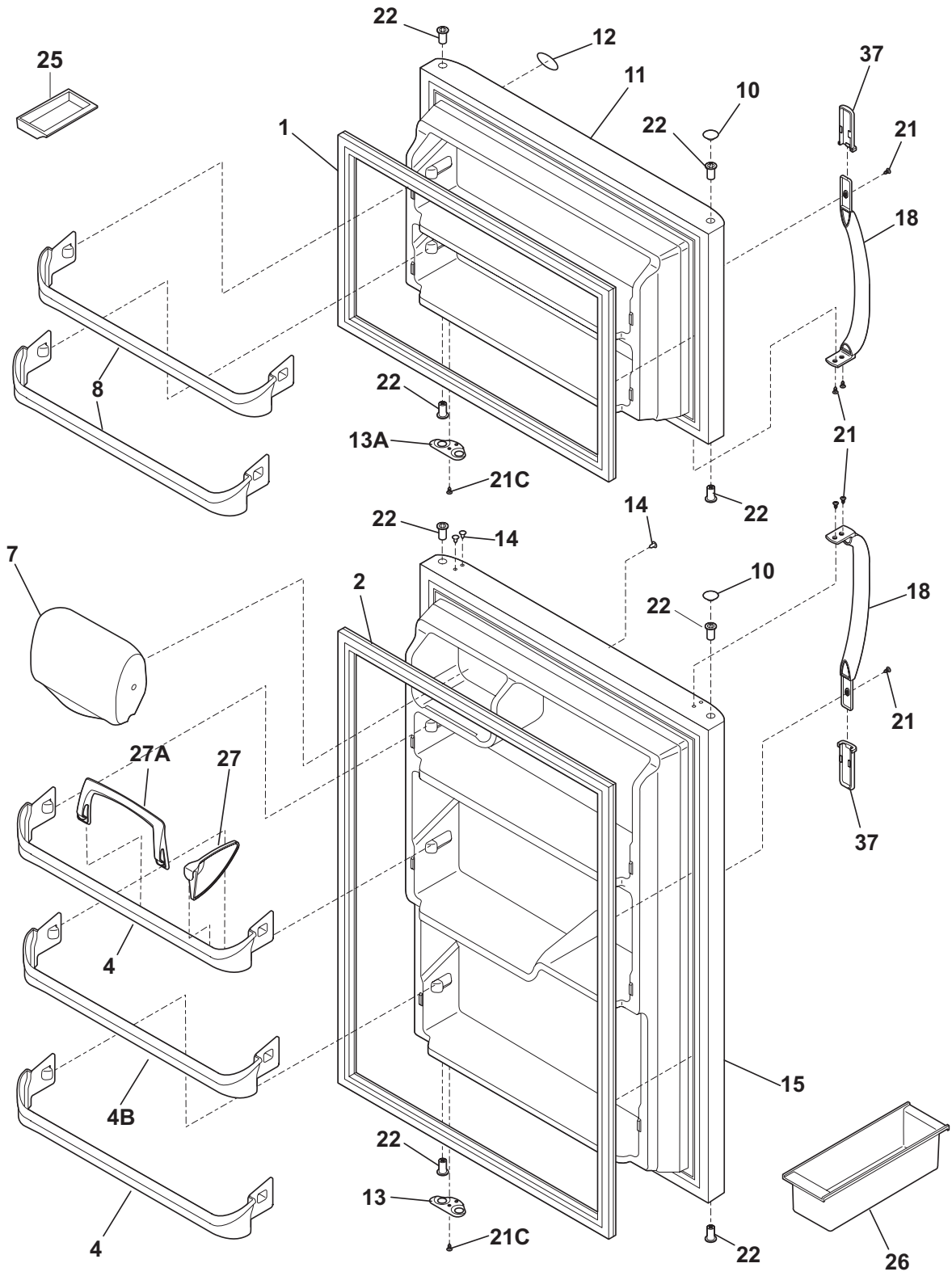
Publication No.
5995500278
07/09/20
(EN/SERVICE/RLF)
390

**TOP-MOUNT
REFRIGERATOR**

Model No.
FGTD18V5G

Copyright © 2007 Electrolux Home Products, Inc.
All rights reserved.

DOOR



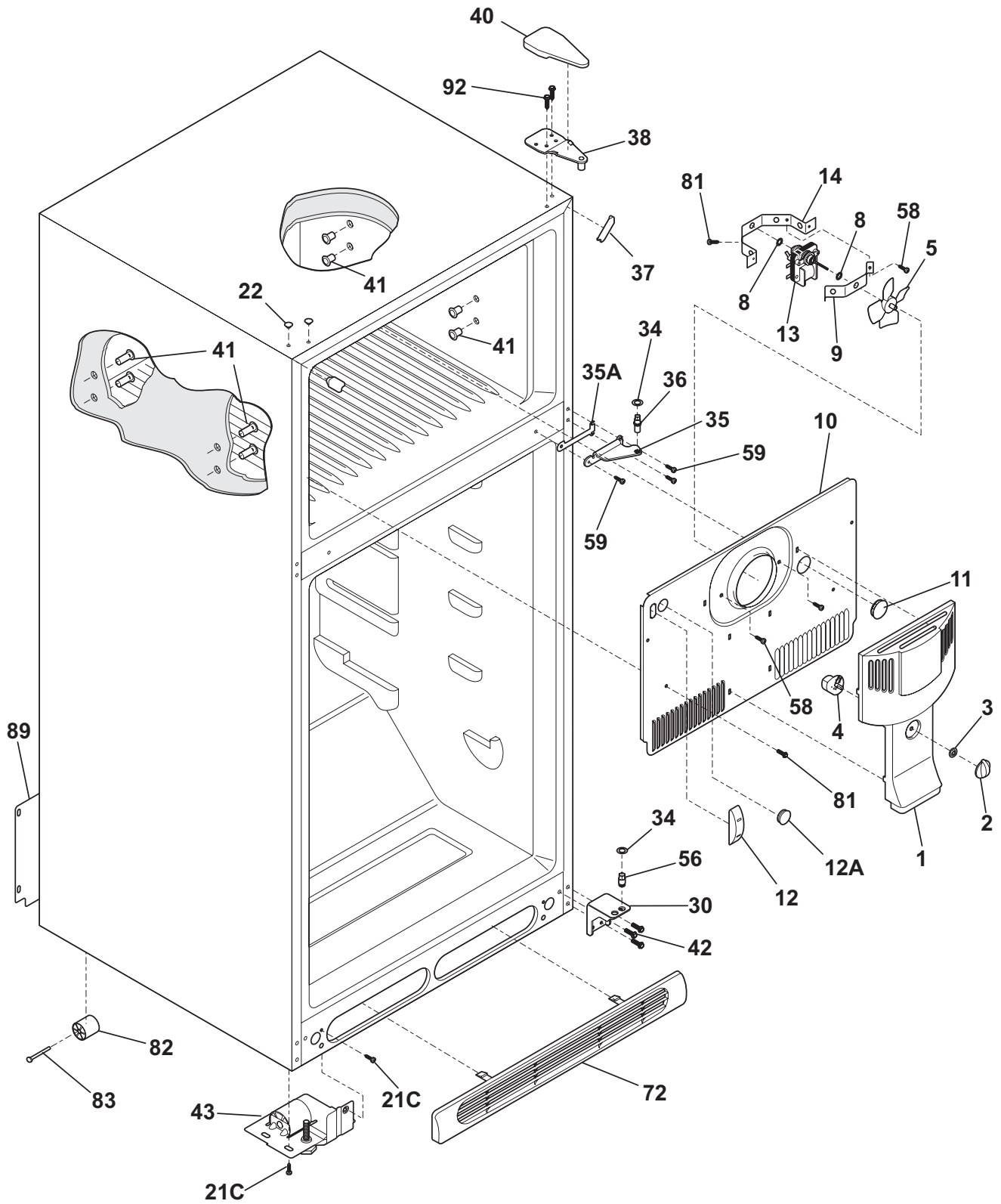
N05DAACKA2

DOOR

Model Index: A FGTD18V5G (FGTD18V5GW0)
 B FGTD18V5G (FGTD18V5GW1)

POS. NO	PART NO.		DESCRIPTION
1 #	240554113	A -	Gasket-frzr door, white, magnetic
1 #	241872501	- B	Gasket-frzr door, white, magnetic
2	240542116	A -	Gasket-refr door, white, magnetic
2 #	241872504	- B	Gasket-refr door, white, magnetic
4	240535101	A B	Rack-door
4B	240535201	A B	Rack-door
7	240337717	A B	Door-dairy
8	240535001	A B	Rack-door
10	240381301	A B	Plug-button, white, hinge brg hole, (2)
11	240580402	A B	Door-frzr, white, complete assy
12	240589601	A B	Label-nameplate
13	240312403	A B	Door Stop, white, ref
13A	240312404	A B	Door Stop, white, frzr
14	240494001	A B	Plug-button, white
15	240580602	A B	Door-refr, white, complete assy
18	218668001	A B	Handle-door, white
21	240383406	A B	Screw, truss hd quad, #10-16 x .500, zinc
21C	218252201	A B	Screw, #8 truss hd, 10-32CA x 0.500
22	240527101	A B	Bearing-hinge, natural color
25	5308000716	A B	Dish, butter
26	3204522	A B	Container, egg
27	240396306	A B	Snugger-door bin, "paddle type", water blue
27A	240396106	A B	Retainer-bottle
37	215870629	A B	Trim-handle, 2.47", white, w/satin AL band
37*	218676004	A B	Band-decorative, satin aluminum, handle trim

CABINET



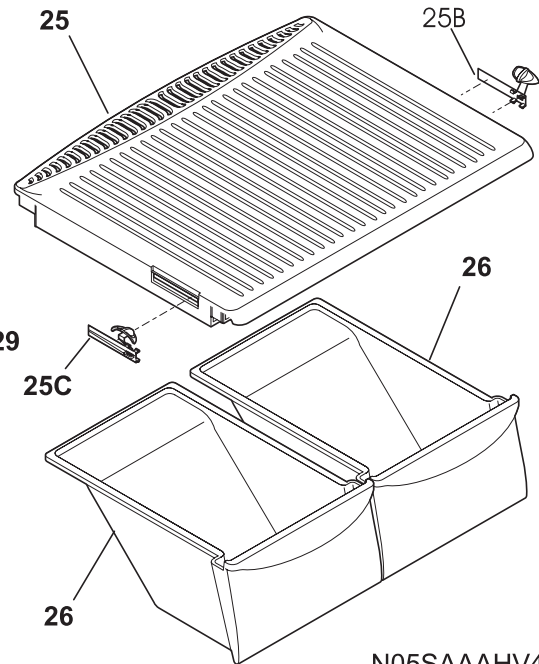
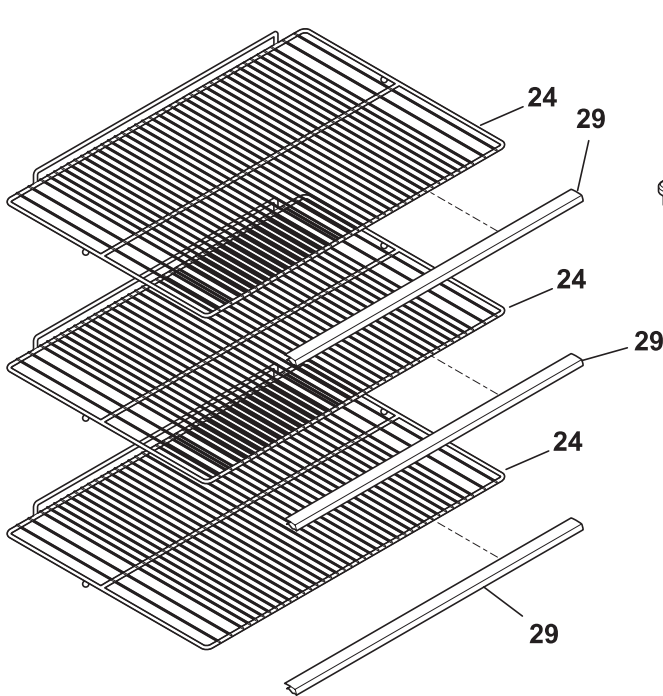
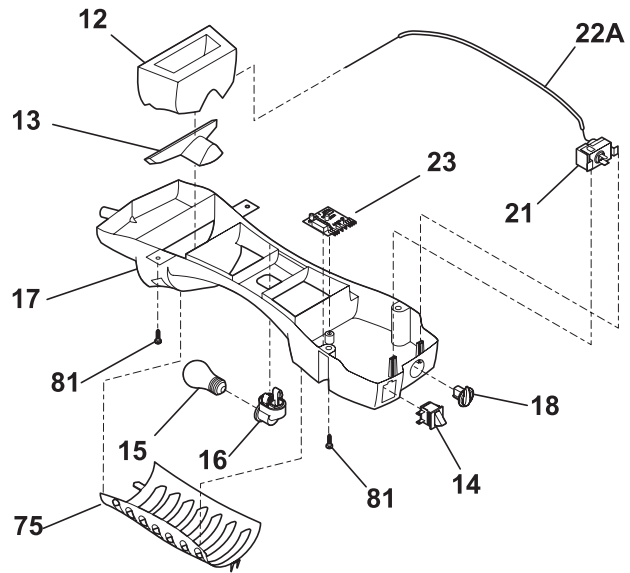
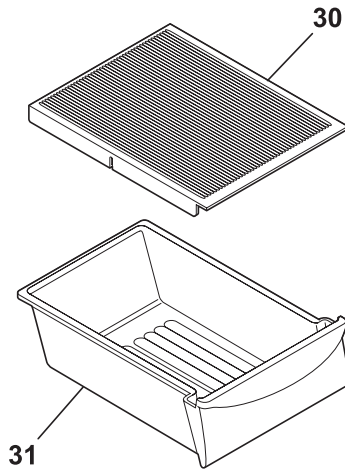
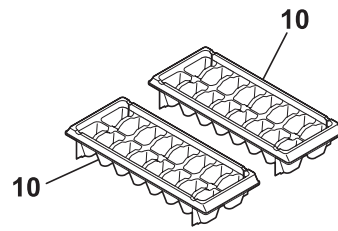
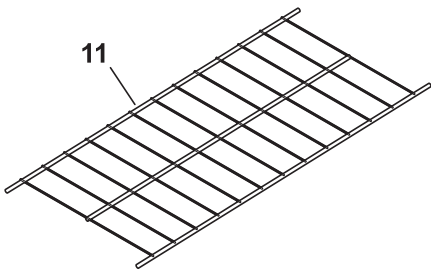
N05BBAABA16

CABINET

Model Index: A FGTD18V5G (FGTD18V5GW0)
B FGTD18V5G (FGTD18V5GW1)

POS. NO	PART NO.		DESCRIPTION
1	241652301	A B	Cover-fan
2	240367001	A B	Knob-damper control
3	5303001028	A B	Nut, push-on
4	240367401	A B	Damper-fan cover
5 #	5308000010	A B	Fan Blade, red, evaporator fan
8	5300157666	A B	Bushing-motor mtg, (2)
9	5303292396	A B	Bracket-motor mtg, front
10	241652215	A B	Cover-evap coil
10*	240568601	A B	Seal-coil cover
10*#	241520701	A B	Harness-wiring, freezer
11	5303208309	A B	Plug-hole, factory test
12	241557601	A B	Plug-ice maker harness, rectangular
12A	240374401	A B	Plug-wtr inlet tube, round, 1"
12A*	241586701	A B	Plug-foam-wtr-inlet, round
13 #	240419703	A B	Motor-evap fan
13*	215474201	A B	Washer, "slinger", nylon, evap fan shaft
13*	218931001	A B	Clamp-motor wiring, nylon, w/adhesive tape
14	5303292397	A B	Bracket-motor mtg, rear
14*	240433204	A B	Screw, hex washer head, 8-18 x 5/16
21C	218252201	A B	Screw, #8 truss hd, 10-32CA x 0.500
22	215774901	A B	Plug-button, white, upr hinge holes
30	240357106	A B	Bracket-lower hinge
34	240311303	A B	Washer, hinge, nylon, (2)
35	240357006	A B	Bracket-ctr hinge
35A	240336802	A B	Spacer-hinge, center
36	240516402	A B	Pin-center hinge
37	241611301	A B	Trim-cabinet corner, white, (2)
38	240356901	A B	Bracket, upper hinge
40	240354401	A B	Cover-upper hinge, white
41	5308009759	A B	Grommet, shelf mtg, 1.25", LH, (4)
42	240578902	A B	Screw-hinge mtg, hex head, 1/4-20 x 5/8
43	241559604	A B	Roller Assy, fixed, front LH
43*	241559603	A B	Roller Assy, fixed, front RH
56	240516502	A B	Pin-lower hinge
58	5304456287	A B	Screw, hex washer head, 8-15A x 0.500
59	240442706	A B	Screw-#10-32 X 3/4, zinc
72	240368301	A B	Grille/Kickplate, white
81	5304455650	A B	Screw, hex washer head, 8-15A x 0.625, low profile
82	5304418225	A B	Roller, compressor base, rear, (2)
83	5304455655	A B	Rivet, flat head, 1/4 OD x 1-3/4, roller pin
89	241736401	A B	Cover-access, w/label
89*	241500304	A B	Screw, hex washer head, 8-18AB x 0.625
92	241710601	A B	Screw, hex washer hd, 1/4 x 7/8, hinge mtg
*	240479601	A B	Plug, button, cab liner holes
*	5303321319	A B	Paint, touch-up, white

SHELVES



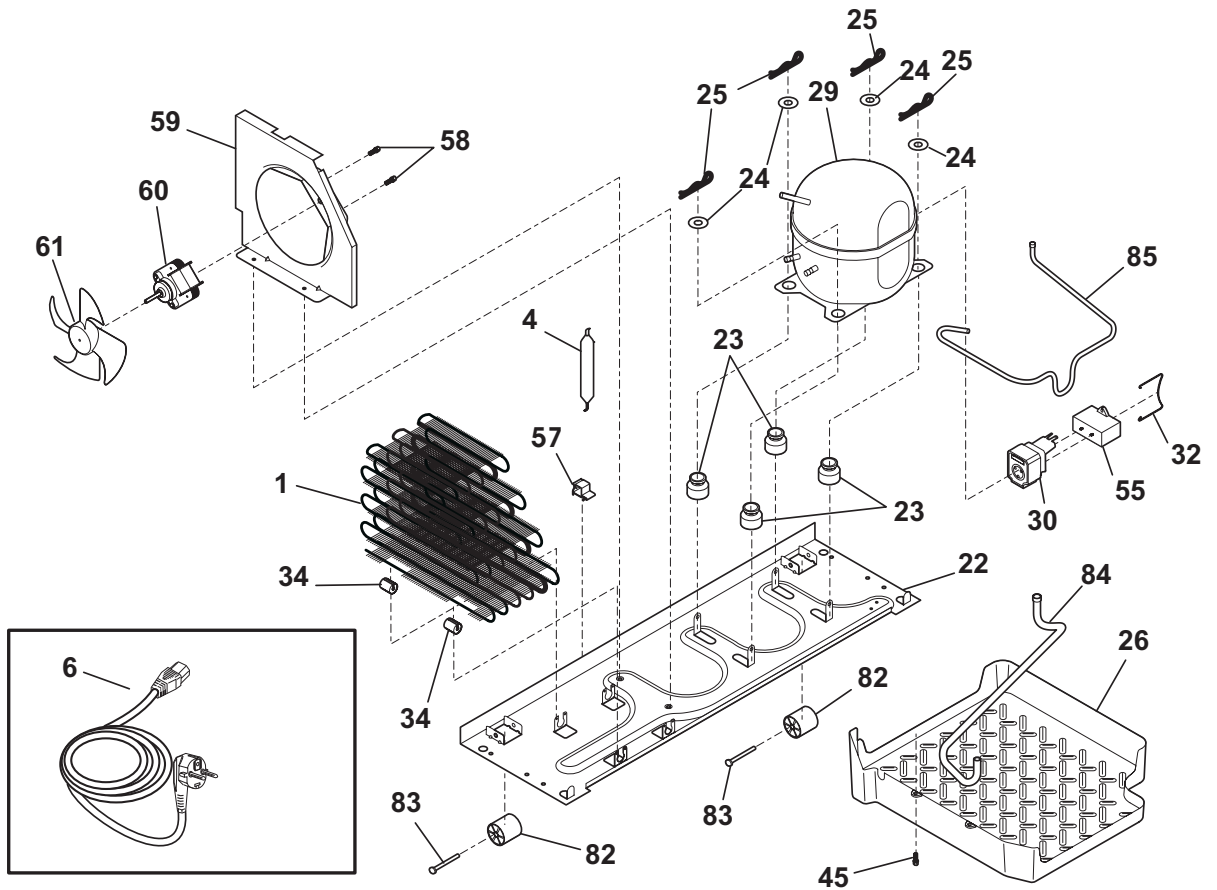
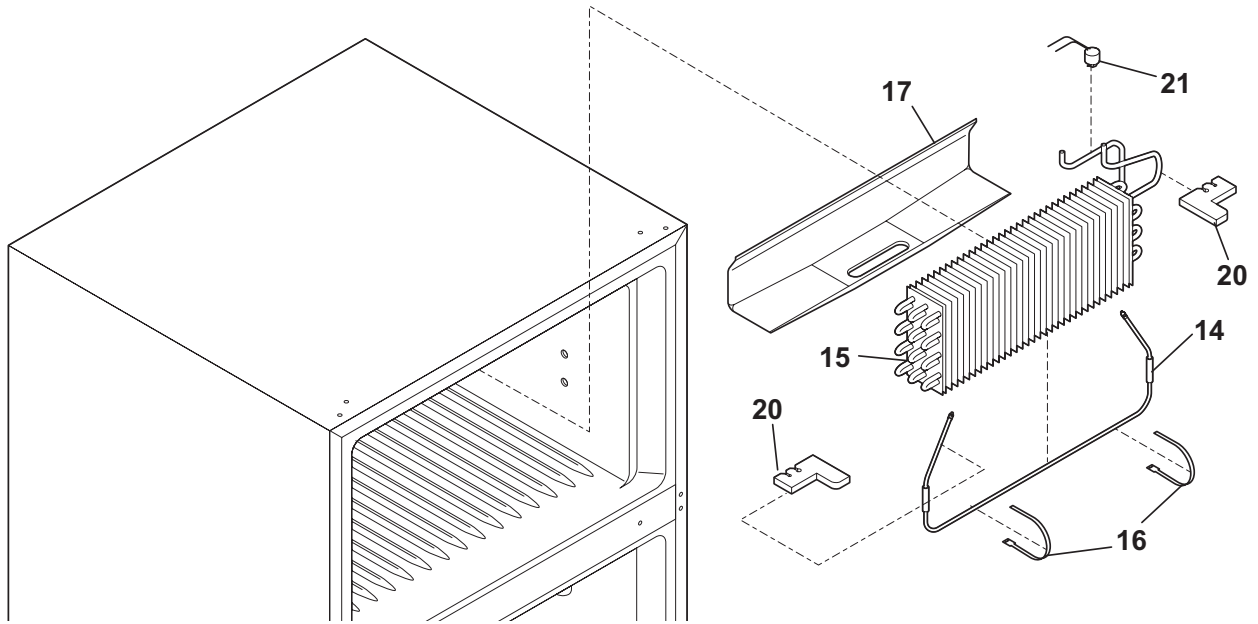
N05SAAHV4

SHELVES

Model Index: A FGTD18V5G (FGTD18V5GW0)
B FGTD18V5G (FGTD18V5GW1)

POS. NO	PART NO.		DESCRIPTION
10	215667501	A B	Tray, ice cube, plastic
11	240358004	A B	Shelf, freezer
12	240545001	A B	Diffuser, air, top
13	240362601	A B	Diffuser, air, bottom
14 #	241554901	A B	Switch-light/lamp
15	218814400	A B	Light Bulb/Lamp
16	240433702	A B	Socket-light/lamp
17	240368001	A B	Control Box
17*#	240375502	A B	Wiring Harness, control box
18	240360801	A B	Knob, temp control
21 #	5304458064	A B	Control-temperature
22A	240468201	A B	Tube, sensor sleeve, 31 inch, plastic, white
23 #	240545405	A B	Control-defrost, adaptive timer, 220/240 V, PC board
23*	5304455649	A B	Screw-timer mtg, pan hd, 6-20 x 0.438, (2)
24	240360902	A B	Shelf, sliding, wire
25	240364722	A B	Cover-crisper pan
25B	241613501	A B	Control-humidity, RH
25C	241613502	A B	Control-humidity, LH
26	240364503	A B	Pan, crisper, (2)
29	240430707	A B	Trim-shelf
30	240361801	A B	Cover, meat pan hanger, drop through
31	240530811	A B	Pan-meat, w/o graphics, clear
75	240515601	A B	Shield-light
81	5304455650	A B	Screw, hex washer head, 8-15A x 0.625, low profile
*	241865408	A B	Label, ENERGY GUIDE

SYSTEM



N05CAAABD0

SYSTEM

Model Index: A FGTD18V5G (FGTD18V5GW0)
 B FGTD18V5G (FGTD18V5GW1)

POS. NO	PART NO.		DESCRIPTION
1 #	241785404	A B	Condenser, dynamic
4 #	218944001	A -	Drier-filter, R134a System
4	218944002	- B	Drier-filter, R134a System
6 #	241723301	A B	Cord-service
6	241735901	A B	Cord-service
6*	240451503	A B	Screw, ind hex wshr hd, 8-32 x 0.375, trilobe
6* #	241627201	A B	Harness-wiring, machine compt
6*	241520701	A B	Harness-wiring, freezer
6* #	240375502	A B	Wiring Harness, control box
14 #	240356215	A B	Defrost Heater, 220 V
15 #	5303918275	A B	Evaporator Kit
16	5308000110	A B	Strap-evap/heater, aluminum, (2)
17	241801302	A B	Trough-drain
20	241551901	A B	Insulation Block
21 #	5303918202	A B	Thermostat-defrost, kit
22	241665605	A B	Base-compressor
22*	218252201	A B	Screw, #8 truss hd, 10-32CA x 0.500
23	218513300	A B	Grommet-compr mtg, (4)
24	241812301	A B	Washer-compr mtg
25	216056401	A B	Clip-compressor mtg
26	241683601	A B	Pan-defrost
29	5303918343	A B	Compressor, w/electricals
30	241524610	A B	Starter-PTC
32	240553401	A B	Clamp, elec cont mtg, compressor
34	240405201	A B	Grommet, rubber, black, cond tube/wire
45	241500304	A B	Screw, hex washer head, 8-18AB x 0.625
55 #	218909908	A B	Capacitor, run
57	240542601	A B	Clip-wiring harness
58	218897002	A B	Screw, hex washer head, 8-32 x 0.375
59	5304430246	A -	Bracket-cond motor assy
59	241681102	- B	Shroud-cond fan
59*	240346701	A B	Tape-foam seal, shroud
59*	240359403	A B	Screw-fan shroud, (2)
60 #	240525405	A -	Motor-condenser fan
60	241696603	- B	Motor-condenser fan
61 #	240524101	A B	Fan Blade, galv steel, condenser fan
82	5304418225	A B	Roller, compressor base, rear, (2)
83	5304455655	A B	Rivet, flat head, 1/4 OD x 1-3/4, roller pin
84	240359601	A B	Tube-drain, lower
85	240553501	A B	Tube-connector, suction
* #	240396801	A B	Clamp, tube/wiring, nylon, black/natural
* #	5303918263	A B	Heat Exchanger Kit, suction line
* #	5303918241	A B	Hot Tube Repair Kit, 220 V, service

WIRING SCHEMATIC

